



SMITH DEVELOPMENT & CONSTRUCTION COMPANY | PHOTOGRAPHY MILES MINNO

ENHANCE HOW YOU EXPERIENCE THE WORLD AROUND YOU





ALL WEATHER | WELCOME

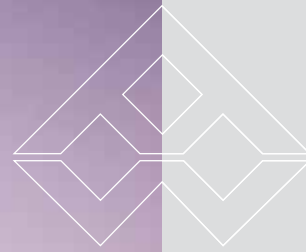
For over 50 years All Weather has hand crafted exceptional custom aluminum windows & doors. Utilizing the highest quality materials and applying the superior workmanship of true artisans, we have breathed life into thousands of residential and commercial building projects up and down the entire west coast and beyond.

Over the decades, All Weather's ability to provide creative solutions to challenging projects has been the company's cornerstone and continues to set All Weather apart from our competition. In fact, offering custom products for our clientele and not competing with mass quantity producers is our primary purpose.

We believe in service beyond expectation and we achieve this by listening to you. We want you to understand that whether this is your first project with us, or your 100th, our pledge remains the same: We are here to support you by providing expert product knowledge, a world-class customer service experience and on-time delivery of the best aluminum windows and doors on the planet.

Now under 3rd generation family ownership, our desire to foster deep and meaningful relationships in order to drive All Weather's growth and prosperity remains unwavering. We value you, your business and the opportunity to make each of your projects more amazing with our stunning windows and doors.

Welcome to All Weather.



ALL WEATHER | CUSTOM WINDOWS

All Weather windows put an exquisite frame around the moments of you or your clients' lives. Whether our products provide a view out into your garden or onto a quad, the perfect spot to look out on the city or your backyard, or a corner or home office flooded in natural light, we build our exceptional custom windows with memories in mind.

Not only do All Weather windows beautify your home or commercial projects, but they are also perfectly functional, energy efficient, and incredibly secure. It is our goal to provide you an experience that will help you find the ideal window to match the design aesthetic you or your clients are working to achieve.

On the following pages you will find our full line of window systems with photos, product details and information to help you visualize the possibilities of making beautiful custom windows a part of your home or next build.





SERIES 5000 | 2 ¼" WINDOW SYSTEM

FEATURES

- 2 ¼" Frame with mitered corners
- Fixed, casement, awning, hopper & combination configurations
- Max casement size of 36" x 60"
- Max fixed lite size 50 square feet
- Exterior glazed
- Thermally broken frame – Pour & Debridge system
- Flat magnetic screen with charcoal mesh or optional Ultra Vue clear mesh

FRAME OPTIONS

- Standard Nail On, Panning Nail On, Equal Leg / Comp Channel, Equal Leg / F-Clip, Z-Bar

GLAZING OPTIONS

- 1" OA insulated units
- 1" Simulated Divided Lite (SDL) – Flat or beveled bar
- 2 ¾" True Divided Lite (TDL) – Square or beveled bead

HARDWARE OPTIONS

- Roto operator with butt hinges
- Cam handle friction hinge
- Multi-point lock with roto operator

RATINGS & CERTIFICATION

- NFRC Certified Product
- Performance Grade Rating PG50
- Acoustically Rated

The Series 5000 Window System is All Weather's most popular and cost effective thermally broken window design. Utilizing a pour & debridge thermal break, the Series 5000 offers energy efficiency without sacrificing performance or aesthetics.

Utilizing extruded, age hardened aluminum that boasts a T-6 rating for strength and durability, the Series 5000 window is built to last with a wall thickness that meets or exceeds commercial window standards. Economical, durable and beautiful, the Series 5000 is the ideal projected custom window solution for residential and multi-family applications.





SERIES 6000 | 2 ½" WINDOW SYSTEM

FEATURES

- 2 ½" Frame with mitered corners
- Fixed, casement, awning & combination configurations
- Max casement size of 36" x 72"
- Max fixed lite size 60 square feet
- Thermally broken frame – Thermal strut system
- Triple glazed options
- Flat magnetic screen with charcoal mesh or optional Ultra Vue clear mesh

FRAME OPTIONS

- Standard Nail On, Panning Nail On, Equal Leg / Comp Channel, Low Profile

GLAZING OPTIONS

- 1" OA insulated units – 1 ½" OA triple glazed
- 1" Simulated Divided Lite (SDL) – Flat bar
- 2 ½" True Divided Lite (TDL)

HARDWARE OPTIONS

- Roto operator with butt hinges
- Cam handle friction hinge
- Multi-point lock with roto operator

RATINGS & CERTIFICATION

- NFRC Certified Product
- Performance Grade Rating PG80
- Acoustically Rated

The Series 6000 window system is one of All Weather's most energy efficient and highest rated window designs and is an ideal exterior glazed solution for residential applications and buildings 12 stories and under.

Built to meet virtually any design and performance criteria for an aluminum window product, the commercially rated Series 6000 window's mitered and crimped corners provide exceptional strength and a contemporary aesthetic. The thermally strutted frame increases energy efficiency and allows for split finish options for the interior and exterior for maximum design flexibility.



ARCHITECT JUAN SAEZ PEDRAJA | PHOTOGRAPHY IGNACIO ESPIGARES





SERIES 6100 | 3 3/4" WINDOW SYSTEM

FEATURES

- 3 3/4" Frame with mitered corners
- Fixed, casement, awning & combination configurations
- Max casement size of 48" x 96"
- Max fixed lite size 60 square feet
- Thermally broken frame – Thermal strut system
- Concealed hinges for contemporary aesthetic
- Extruded aluminum screen with charcoal mesh or optional Ultra Vue clear mesh

FRAME OPTIONS

- Nail On

GLAZING OPTIONS

- 1" OA insulated glass units – 1 1/4" OA triple glazed
- 1" Simulated Divided Lite (SDL) – Flat Bar
- 3 3/16" True Divided Lite (TDL)

RESIDENTIAL HARDWARE OPTION

- Encore Contemporary handle
- Amesbury Truth High Performance Single Arm Operator
- Max casement width 42" and min casement width 23 1/2"
- Max casement height 72" when width is greater than 30"
- Max casement height 78" when width is equal to or less than 30"
- Supports sash up to 140 lbs.

COMMERCIAL HARDWARE OPTION

- European style Fapim Out System
- Handle rotation allows for sash lock, unlock and actuation
- Supports sash up to 280 lbs.
- Max casement width 48" and min casement width 23 1/2"
- Max casement height 98"
- ADA compatible handle available

RATINGS & CERTIFICATION

- NFRC Certified Product
- .30 U Value or better to meet Title 24 compliance
- Performance Grade Rating PG60
- Acoustically Rated

The Series 6100 Window System is All Weather's newest, most optimized, energy efficient window design. The 6100 is All Weather's first window system engineered to meet Title 24 compliance using the Prescriptive Method.

The all-new aluminum extrusion design provides a contemporary aesthetic and utilizes All Weather's state-of-the-art insulated glass production capabilities. The Series 6100 delivers best-in-class energy efficiency and is the perfect choice for residential applications and exterior glazed solutions for buildings 12 stories and under.

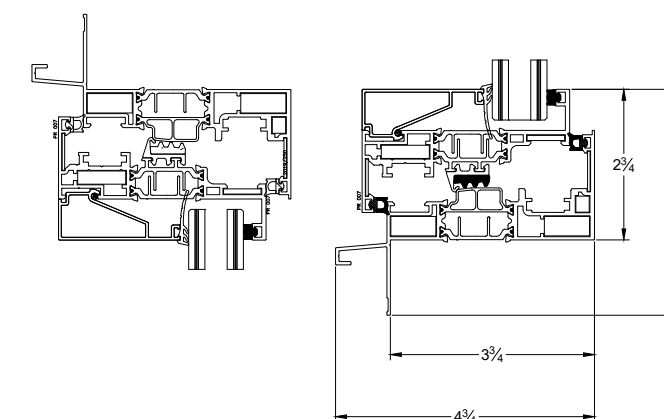
ENCORE CONTEMPORARY OPERATOR



FAPIM OUT OPERATOR



ASSEMBLY DRAWINGS





SERIES 6200 | 3 1/8" HORIZONTAL SLIDING WINDOW SYSTEM

FEATURES

- 3 1/8" Frame with square cut corners, mechanically fastened
- Max panel width 48", min panel width 18"
- Max panel height 84", min panel height 18"
- Max panel size 48" x 84"
- Maximum of 28 square feet total or 180 lbs.
- Thermally broken frame – Pour & Debridge system
- Extruded aluminum screen with charcoal mesh or optional Ultra Vue clear mesh

FRAME OPTIONS

- Nail On with optional block frame

CONFIGURATIONS

- OX, XO, XOX
- Additional configurations coming soon

GLAZING OPTIONS

- 1" OA insulated units – 1 1/4" OA triple glazed
- Marine glazed

HARDWARE OPTIONS

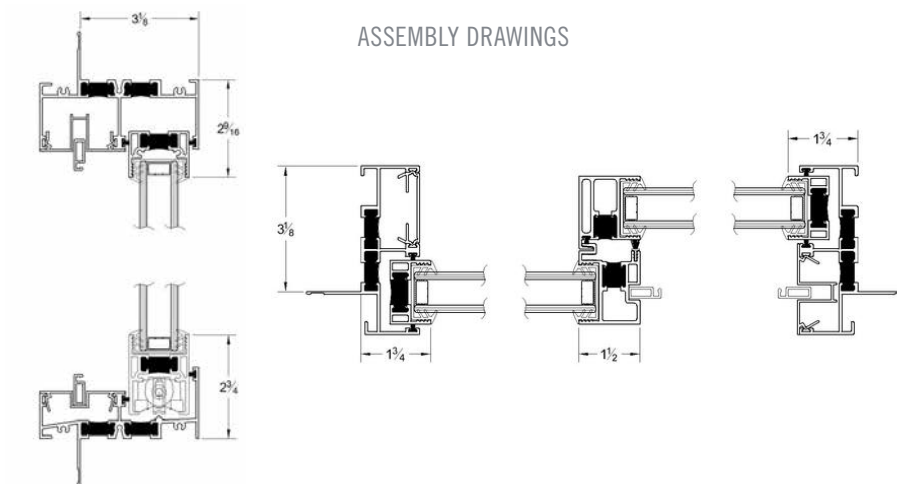
- Amesbury Truth Positive Action Lock (PAL) in bronze or satin nickel finish
- Recessed finger pull
- Fapim Hockey rollers in double roller configuration for smooth operation
- Hockey rollers weight capacity 180 lbs.

RATINGS & CERTIFICATION

- NFRC Certified Product
- Dual glazed unit will hit 0.31 U factor
- Triple glazed unit will hit 0.25 U factor
- CW Performance Class with a PG35 rating
- Acoustically Rated

The Series 6200 is All Weather's new horizontal sliding window system. All Weather's latest energy efficient window design features narrow sightlines and a contemporary aesthetic, making it ideal for residential, multi-family and commercial applications.

The Series 6200 Horizontal Sliding Window System meets Title 24 compliance using the Prescriptive Method, is commercially rated and delivers best in class STC ratings.



ALL WEATHER | WINDOW SERIES COMPARISON CHART



ALL WEATHER | WINDOW HARDWARE

PRODUCT NAME	SERIES 5000	SERIES 6000	SERIES 6100
Frame Depth	2¼"	2½"	3¾"
Configurations	Casement, Awning, Fixed, Hopper	Casement, Awning, Fixed	Casement, Awning, Fixed
Frame Types	Nail On, Panning, Equal Leg/ Comp Channel, F-Clip, Z-Bar	Nail On, Panning, Equal Leg/ Comp Channel, Low Profile	Nail On
Max Casement Size	36" x 60"	36" x 72"	48" x 96"
Max Fixed Lite Size	50 sq. ft.	60 sq. ft.	60 sq. ft.
Thermally Broken	Yes	Yes	Yes
Glazing	1" OA	1"-1½" Triple Glazed	1"-1¼" Triple Glazed
SDL	1" Flat or Beveled	1" Flat	1" Flat
TDL	2¾"	2½"	3¾"
Split Finish	No	Yes	Yes
PERFORMANCE	SERIES 5000	SERIES 6000	SERIES 6100
DP Structural Rating	PG50	PG80	PG60
NFRC Energy Rating	0.41	0.37	0.31*
STC Acoustic Rating	Up to 41	Up to 41	Up to 41

*Series 6100 NFRC U-Factor of 0.24 for triple glazed casement window.

Performance based on dual glazed casement window test results. Comparison chart data subject to change without notice. Visit allweatheraa.com for current product information and ratings.

Each handcrafted window is an exceptional work of art with painstaking attention paid to each custom detail, so it is no surprise that our hardware selection is also carefully curated for it's beauty, functionally, fit, and finish. We want your windows to be a reflection of your personal style and the right hardware is essential to achieve this goal. This guide is designed to help you choose the finishing touch that is perfect for you!



ADA CRANK HANDLE
SERIES 5000 | 6000



CONTOUR CRANK HANDLE
SERIES 5000 | 6000



CRANK HANDLE
SERIES 5000 | 6000



FOLDING CRANK HANDLE
SERIES 5000 | 6000



CONTOUR LOCKING HANDLE
SERIES 5000 | 6000



LINEAR MULTI-POINT HANDLE
SERIES 5000 | 6000



ROTO LOCKING HANDLE
SERIES 5000 | 6000



LOW PROFILE LOCKING HANDLE
SERIES 6100



CONTOUR PIVOT SHOE OPERATOR
SERIES 5000 | 6000



PIVOT SHOE OPERATOR
SERIES 5000 | 6000



ENCORE OPERATOR
SERIES 6100



PAWL HOLE CAM HANDLE
SERIES 5000



CONTOUR ROTO OPERATOR
SERIES 5000 | 6000



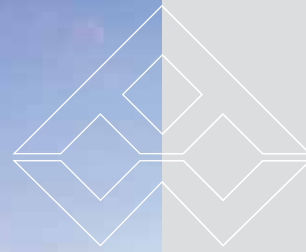
ROTO OPERATOR
SERIES 5000 | 6000



FAPIM OUT OPERATOR
SERIES 6100



MELRON CAM HANDLE
SERIES 5000 | 6000



ALL WEATHER | CUSTOM DOORS

All Weather doors offer more than just a remarkable view. Our stunning products let you or your client's personal style shine through. They are beautiful, functional, energy efficient, and incredibly secure. Each custom door we produce, whether sliding, swinging, pivoting or folding, becomes the portal that connects you to the world around you.

At All Weather, it is our goal to craft each individual door to meet your vision of perfection, and to blur the lines between your indoor and outdoor spaces allowing you or your client to enhance the way they experience the world around them. You can rest easy knowing our doors are backed by a superior 10 year limited residential and commercial warranty that includes 1 year free labor.

On the following pages, you will find our comprehensive line of door systems, complete with photos, product details and information to help make effortlessly smooth swing doors and movable glass walls part of your home or next project.





SERIES 7000 | SWING DOOR SYSTEM

FEATURES

- 3 ¼" Frame with mitered corners
- Max panel width of 48" and min panel width of 24"
- Max panel height of 120" and min panel height of 36"
- Max panel size of 48" x 96" or 36" x 120"
- Sidelights and Transoms (fixed glass only)
- Thermally broken frame – Thermal strut system
- Rigid corner key frame construction

FRAME & SILL OPTIONS

- Nail On, Panning, or Equal Leg
- 2 ¾" Sill and ½" Low Profile sill available
- 10" Kick rail available

CONFIGURATIONS

- Inswing or Outswing
- Single or double panel available
- Multi-light configurations

GLAZING OPTIONS

- 1" OA insulated glass units – 1 ¼" OA triple glazed
- 1" Simulated Divided Lite (SDL) – Flat bar
- 2 ½" True Divided Lite (TDL)

HARDWARE OPTIONS

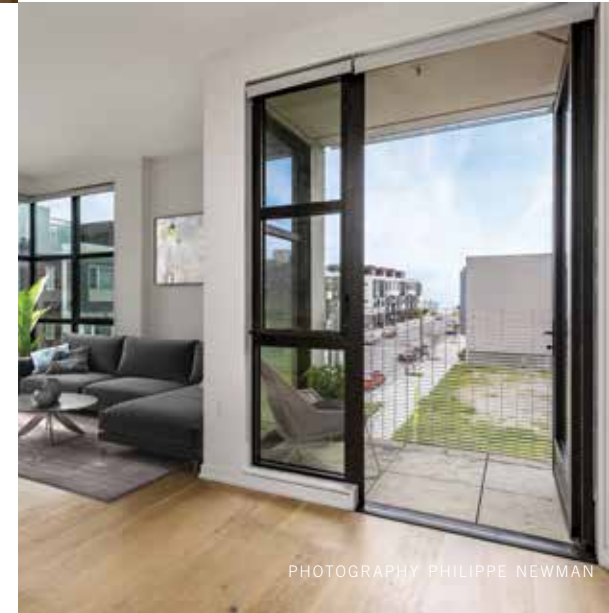
- Multi-point locking, thumb turn, or keyed lock available
- Tokyo handle standard, Dallas and Stockholm handles available
- 42" Standard handle height or custom handle height available

RATINGS & CERTIFICATION

- NFRC Certified Product
- Commercial Rating C30
- Acoustically Rated

The Series 7000 Swing Door System provides structural excellence, energy efficiency and utilizes the latest technology to keep you comfortable, safe, and secure.

The Series 7000 door features narrow sightlines, a contemporary aesthetic and split finish color options for maximum design flexibility. The Series 7000 utilizes a thermal strut system for increased thermal performance, delivers optimal acoustic insulation and offers water & air tightness. The Series 7000 door is the ideal solution for use in contemporary mixed-use/multi-family commercial buildings and residential architecture.





SERIES 7200 | PIVOT DOOR SYSTEM

FEATURES

- Max panel width of 60" and min panel width of 40"
- Max panel height of 144" and min panel height of 60"
- Max panel size of 60" x 144"
- Narrow 1 5/16" or 2 5/8" Stile & Rail profile options
- Robust 2 15/16" thick panel
- Transom or Sidelights (Fixed Glass)
- Concealed self-closer in the subfloor or header
- Thermally broken frame – Thermal Strut system

FRAME & SILL OPTIONS

- 3/8" ADA Sill
- No sill

CONFIGURATIONS

- Inswing or Outswing
- Single or double panel available
- Multi-light configurations

GLAZING OPTIONS

- 1 1/4" OA insulated units
- 5/8", 7/8", 1" Simulated Divided Lite (SDL) – Square or putty
- 3 1/4", 4 5/16" True Divided Lite (TDL) – Based on profile

HARDWARE OPTIONS

- Ladder Pull in varying lengths
- Acacia Handle
- Multi point locking, thumb turn or keyed lock available

RATINGS & CERTIFICATION

- NFRC Certified Product

The Series 7200 Pivot door is a unique and breathtaking alternative to traditional French or hinged doors. Pivot doors offer an elegant and contemporary aesthetic that will complement any home.

The Series 7200 allows openings to accommodate taller and wider panels since the door operates around a pivot at the top and bottom of the door rather than being hinged to the jamb.

The Series 7200 Pivot door can be used as a front, internal or patio door and offers uninterrupted views through a single panel of glass, increased daylighting and is an ideal solution to merge indoor outdoor spaces for residential and commercial applications.





SERIES 8100 | MULTI SLIDE DOOR SYSTEM

FEATURES

- Max panel width of 96" and min panel width of 24"
- Max panel height of 144" and min panel height of 48"
- Max panel size of 70 square feet
- Unlimited number of panels
- Pour & Debridge thermally broken frames with Thermal strut system panels
- Optional full panel screen available
- Optional Centor retractable screen available
- Square cut corners, mechanically fastened

FRAME & SILL OPTIONS

- Block frame with optional stucco return
- 2" Sill, ¾" Low Profile sill and Recessed Tile sill available

CONFIGURATIONS

- Unlimited multi track configuration
- Flush Stacking Multi Slide Doors for true bypass panels
- Pocket Doors, 90 Degree Corner Doors

GLAZING OPTIONS

- 1" OA insulated glass
- 1" Simulate Divided Lite (SDL) – Flat bar
- 2 ½" True Divided Lite (TDL)
- Enhanced Noise Reduction (STC)

HARDWARE OPTIONS

- Flush mount or modern D pull handle
- Keyed lock available
- 3" Stainless Steel rollers
- 1.8" Quadzilla Low Profile Stainless/Composite rollers

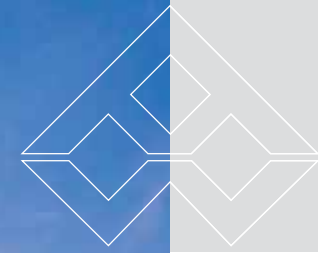
RATINGS & CERTIFICATION

- NFRC Certified Product
- Commercial Rating C30
- Acoustically Rated

The Series 8100 Multi Slide Door System is All Weather's most innovative, energy efficient and versatile design. The Series 8100 offers unlimited possibilities with corner, pocket, and flush stacking door configurations.

Held to the highest standards of quality and performance, the Series 8100 is commercially and acoustically rated, boasts smooth operation, and features a low profile sill, multiple thermal breaks and contemporary narrow sightlines. The Series 8100 Multi Slide Door System is the perfect choice for residential applications but can also meet your commercial project needs.





SERIES 8150 | 3 3/4" SLIDING DOOR SYSTEM

FEATURES

- Max panel width of 96" and min panel width of 24"
- Max panel height of 144" and min panel height of 48"
- Max panel size of 70 square feet
- Up to 4 panels wide
- Thermally broken frame – Pour & Debridge system
- Stronger single-piece 6063-T6 aluminum two-track frame
- Integrated, economical screen design
- Improved water weeping system

FRAME & SILL OPTIONS

- True Nail On or block frame available
- 2" Sill and 3/4" Low Profile sill available

CONFIGURATIONS

- OX, XO
- OXO
- OXXO

GLAZING OPTIONS

- 1" OA insulated glass
- 1" Simulated Divided Lite (SDL) – Flat Bar
- 2 1/8" True Divided Lite (TDL)

HARDWARE OPTIONS

- Flush mount or modern D pull handle
- 1.8" Tandem stainless steel rollers standard, up to 600 lb. panel weight
- 1.8" Quadzilla stainless steel rollers for heavy panels, up to 1200 lb. panel weight

RATINGS & CERTIFICATION

- NFRC Certified Product
- Commercial Rating C35
- Acoustically Rated

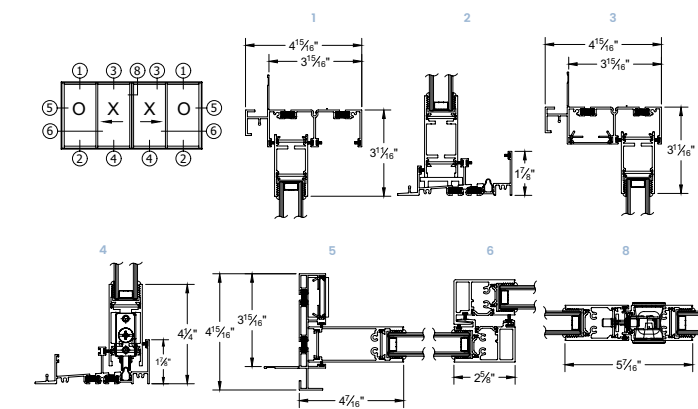
The Series 8150 is All Weather's newest thermally broken sliding door system. The Series 8150 sliding door is a two track system designed to simplify and improve the installation experience for commercial, mid-rise, mixed use and residential projects.

The all-new aluminum extrusion design provides a contemporary aesthetic and combined with All Weather's state of the art insulated glass production capabilities, the 8150 delivers enhanced energy performance.

FLUSH MOUNT HANDLE



CROSS SECTION DETAILS





SERIES 9200 | BIFOLD DOOR SYSTEM

FEATURES

- Max panel width of 42" and min panel width of 24"
- Max panel height of 144" and min panel height of 25"
- Max panel size of 42" x 144"
- Unlimited number of panels
- Contemporary 2 1/16" Stile & Rail profile
- Robust 2 3/8" Thick panels
- Top Hung for effortless operation
- Pinch proof, child safe design
- Thermally broken frame – Thermal Strut system

FRAME & SILL OPTIONS

- Block frame
- 2 3/16" Sill, 1 1/2" Recessed sill, 3/4" Recessed sill
- Weep drainage standard on the 2 3/16" sill and 1 1/2" recessed sill
- 10" Kick rail available

CONFIGURATIONS

- Inswing or Outswing
- Bifold Windows
- 90 Degree Standard or Inverted Corner Doors
- Popular configurations options with a min of 2 panels and a max of 8 panels in one direction

GLAZING OPTIONS

- 1" OA Insulated Glass
- 5/8", 7/8", 1" Simulated Divided Lite (SDL) – Square or putty
- 2 15/16" True Divided Lite (TDL)

HARDWARE OPTIONS

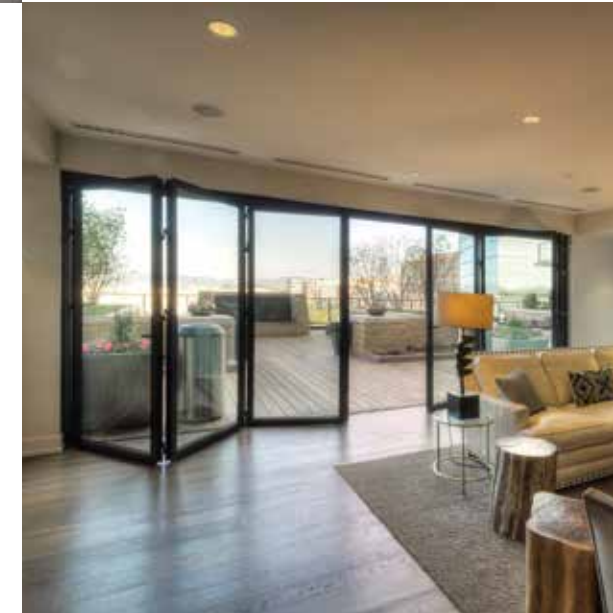
- Multi Point and Keyed locking available
- Twin point stainless steel hardware
- Aria, Acacia, Summit, Verona door handles

RATINGS & CERTIFICATION

- NFRC Certified Product
- Performance Grade Rating PG45

The new Series 9200 Folding Door system completely transforms space and enhances indoor outdoor living by allowing more natural light and open air and maximizing views. Top hung for smooth and effortless operation, the innovative Series 9200 bifold doors are thermally broken for increased energy efficiency, feature a contemporary 2 1/16" stile & rail profile and robust 2 3/8" thick panels for structural integrity.

Whether you need a simple bi-fold patio door or want to open an entire wall, the Series 9200 unlimited configuration options offer maxim design flexibility. Held to the highest standards of quality and performance, the Series 9200 Folding Door System is the ideal solution for residential and commercial projects.



ALL WEATHER | DOOR SILLS



ALL WEATHER | DOOR HARDWARE

Whichever door style you choose, All Weather has a sill to meet your needs. From 2" sills that give you ultimate protection from the elements, to low profile sills that nearly disappear, All Weather has you covered.

SWING DOORS



7000 2 3/8" SILL



7000 1/2" LOW PROFILE SILL



7200 3/8" ADA SILL

SLIDING DOORS



8100 2" SILL



8100 3/4" LOW PROFILE SILL



8150 2" SILL



8100 RECESSED TILE SILL



8150 3/4" LOW PROFILE SILL

BIFOLD DOORS



9200 2 3/16" SILL



9200 1 1/2" RECESSED SILL



9200 3/4" RECESSED SILL

Each door we produce is the portal that connects you to the world around you. Door hardware must be flawless with glassy smooth, operation, comfortable hand feel, and ultra-secure to protect you from the elements. Hardware also needs to visually complement your stunning doors and let your personal style shine through. This guide is designed to help you choose the look that you will reach for each day and love it every time.



7000 SWING DOOR
DALLAS

7000 SWING DOOR
TOKYO

7000 SWING DOOR
STOCKHOLM

7200 PIVOT DOOR
LADDER PULL

7200 PIVOT DOOR
9200 BIFOLD DOOR
ACACIA HANDLE

9200 BIFOLD DOOR
ARIA HANDLE

9200 BIFOLD DOOR
SUMMIT HANDLE

9200 BIFOLD DOOR
VERONA HANDLE



8100 | 8150
SLIDING DOOR
MODERN D PULL HANDLE



8100 | 8150
SLIDING DOOR
NON-KEYED ACTUATOR



8100 | 8150
SLIDING DOOR
FLUSH MOUNT FINGER PULL



8150 SLIDING DOOR
1.8" ROLLERS



8100 SLIDING DOOR
3" ROLLERS



8100 | 8150 SLIDING DOOR
1.8" QUADZILLA ROLLERS

ALL WEATHER | DOOR SERIES COMPARISON CHART



ALL WEATHER | WINDOW AND DOOR FINISHES

PRODUCT NAME	SERIES 7000	SERIES 7200	SERIES 8100	SERIES 8150	SERIES 9200
Door Operation	Swing	Pivot	Multi Slide	Sliding	Bifold
Configurations	Inswing, Outswing Single or Double Panel	Inswing, Outswing Single or Double Panel	Unlimited Flush Stacking, Corner, Pocket	XO, OX, OXO, OXXO	Inswing, Outswing Unlimited, up to 8 panels in each direction
Max Panel Size	48"x96", 42"x108", 36"x120"	60" x 144"	70 sq. ft.	70 sq. ft.	42" x 144"
Max Panel Width	48"	60"	96"	96"	42"
Max Panel Height	120"	144"	144"	144"	144"
Max # of Panels	2	2	Unlimited	4	Unlimited
Thermally Broken	Yes	Yes	Yes	Yes	Yes
Sill Options	½" Low Profile, 2⅜" Sill	⅜" ADA Sill, No Sill	¾" Low Profile, 2" Sill, Recessed Tile Sill	¾" Low Profile, 2" Sill	¾" Recessed, 1½" Recessed, 2⅜" Sill
Glazing	1"-1¼" Triple Glazed	1¼" OA	1" OA	1" OA	1" OA
SDL	1" Flat	⅝", ⅞" Square or Putty, 1" Flat	1" Flat	1" Flat	⅝", ⅞" Square or Putty, 1" Flat
TDL	2½"	3¼", 4⅝"	1⅝"	1⅝"	2⅝"
Split Finish	Yes	No	No	No	No
PERFORMANCE	SERIES 7000	SERIES 7200	SERIES 8100	SERIES 8150	SERIES 9200
DP Structural Rating	C30	N/A	C30	C35	PG45
Up to .30 U Value Achievable	No	No	No	Yes	No
NFRC Certified	Yes	Yes	Yes	Yes	Yes
STC Acoustic Rating	Up to 40	N/A	Up to 38	Up to 37	N/A

Performance based on 2", 2⅜", 2⅝" Sill and dual glazed testing results. Comparison chart data subject to change without notice. Visit allweatheraa.com for current product information and ratings.

All Weather windows and doors feature Class I anodized coatings which are a high-performance finish used for exterior building structures and other products that must withstand continuous outdoor exposure. Class I anodized finishes are more resistant to salt spray and the sea coast as compared to Class II. Custom Kynar paint color matching available for commercial projects.*



CLASS 1 DARK BRONZE ANODIZED
SOPHISTICATED AND TIMELESS, DARK BRONZE FITS IN HOMES WHERE A MORE TRADITIONAL AESTHETIC IS DESIRED.



CLASS 1 CLEAR ANODIZED
SLEEK AND MODERN, THE 'ALUMINUM LOOK' IS BEST SUITED FOR CONTEMPORARY DESIGN TASTES AND STYLES.



POWDER COAT BLACK ANODIZED EFFECT
AVAILABLE FOR SERIES 7200 & 9200. AMMA 2604 POWDER COAT FINISH WITH BLACK ANODIZED METAL APPEARANCE FOR A TIMELESS AND SOPHISTICATED DESIGN AESTHETIC.



POWDER COAT CLEAR ANODIZED EFFECT
AVAILABLE FOR SERIES 7200 & 9200. AMMA 2604 POWDER COAT FINISH WITH CLEAR ANODIZED METAL APPEARANCE FOR A SLEEK AND CONTEMPORARY DESIGN AESTHETIC.

*Extended lead times and additional costs apply.

GLASS | ENERGY EFFICIENCY (NFRC)



LOW E (LOW-EMISSIVITY) | CARDINAL CG

Low E is a transparent coating used to minimize the amount of infrared and ultraviolet light that passes through a piece of glass. This coating improves energy performance in windows by reflecting exterior heat during warmer seasons and retaining interior heat during colder seasons.

Cardinal LoE-270 (LoE-270) provides enhanced energy levels of performance with its patented two-layer coating for year-round comfort.

Cardinal LoE-366 (LoE-366) is the ultimate performance glass and delivers the highest levels of year round comfort and energy savings. LoE-366's patented triple-layer coating rejects the sun's heat, provides exceptional fading protection while still letting light stream in. Pair it with argon gas and LoE-189 for maximum energy efficiency.

TINTS

Tinted glass is available in a wide range of colors to meet your visual and energy performance needs. Bronze, Grey, Green and Blue are our most popular options.

LAMINATED

Laminated glass is a safety glass that is two pieces of glass bonded together with a plastic interlayer. This interlayer helps strengthen the glass against impact and, if damage does occur, the plastic will hold the broken shards together limiting the risk of injury from the glass. Laminated glass is also used as a moderate acoustical pane, offering some sound barrier.

OPTIPHON SOUND CONTROL

Pilkington Optiphon™ is a laminated glass that utilizes a special PVB interlayer that enhances sound insulation performance. Using this glass in place of a clear pane can provide excellent sound control with the same benefits as laminated glass.

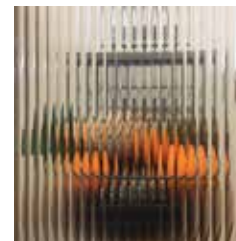
ARGON FILLED

Argon is a colorless and odorless dense gas that helps improve energy performance. Argon gas can be injected between two panes of glass in insulated glass units to achieve better energy ratings.

DECORATIVE



CLEAR



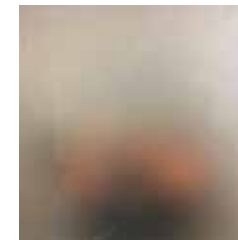
NARROW REED



OBSCURE



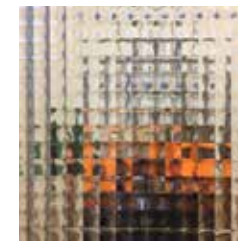
GLUE CHIP



SATIN ETCH



RAIN



CROSS REED

